



## M-VF-F Series

All PFA molded design.  
Relieves system pressure  
at preset crack pressure.

### Features

- High reliability
- Factory set
- Low pressure drop
- All mechanical
- Right-angle flow
- Flare type connection
- Bubble tight seal

### Operating Principle

As the fluid (liquid or gas) enters the valve and the pressure across the piston exceeds the cracking pressure then, at a preset crack, when the differential pressure exceeds the spring force the piston travels instantaneously over towards the outlet port thereby opening the valve and relieving system flow.

### Applications

- Special semiconductor equipment relief valve applications.

## Measurement Specifications

Calibration Range *	Cracking pressure* * The product can be set at a cracking pressure in the range of 30 - 90 psi with bubble tight shut off. Consult factory for lower settings.
Set Point Accuracy	± 5% (Consult factory for tighter accuracy)
Repeatability	± 2.5% (Consult factory for tighter repeatability)
Hysteresis	30%
Material	PFA
Port Sizes	1/4" Flare
Cracking Pressure	30 to 90 psi
Mounting	Universal Mounting

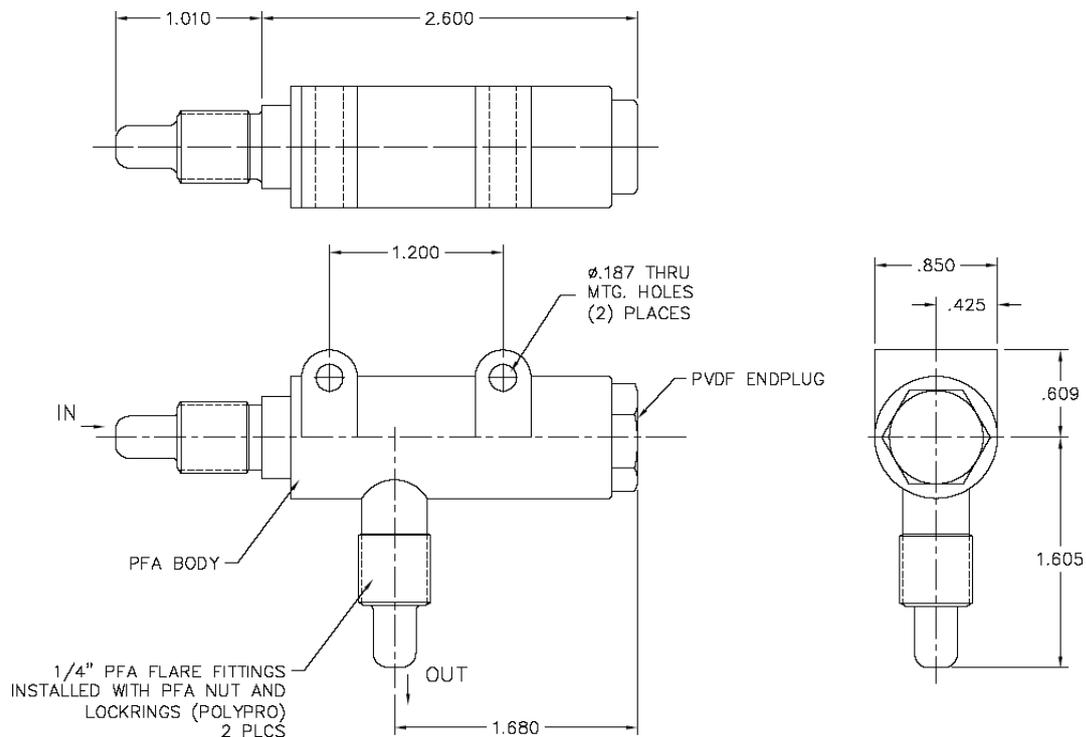
## Standard Specifications

### Wetted Parts

Chemraz O-ring (piston active seal)  
 Viton O-ring (end plug static seal)  
 PVDF Piston Fluoraloy T Body, PFA Flare fittings, PTFE coated spring(SS spring)

## Dimensional Drawings

Illustrated is the M-VF-F model with 1/4" FLARE fittings



### Corporate Headquarters

1060 S Rogers Circle  
 Boca Raton, FL 33487  
 P: (561) 995-0595 F: (561) 995-0622

### West Coast Headquarters

2329 Zanker Road  
 San Jose, CA 95131  
 P: (408) 970-3419 F: (408) 970-3426

### Asia Pacific Headquarters

35 Marsiling Industrial Estate Road 3 #02-06  
 Singapore 739257  
 P: (65) 6482-3533 F: (65) 6484-4231

### India Headquarters

#1433, 3<sup>rd</sup> and 4<sup>th</sup> Floor, Pipeline Road,  
 Mahalakshimpuram, Bangalore 560086  
 P:(91) 80 2349-9362

## Ordering Information

Standard Part Numbering							Options						
M	-	Model	-	Material	Port	Connec- tion	-	Piston	-	Poppet O-ring	Center O-ring	Back O-ring	Unique Part Identifier
M	-	VF	-	F	2	1	-	PV	-	2	2	2	XXX
		VF		F- PFA	2 - 1/4"	1- Flare		PV- PVDF		2 - Viton 8 - Chemraz	2 - Viton 8 - Chemraz X - None	2 - Viton 8 - Chemraz	Unique numbering from 001 to 999 to identify settings and other custom requirements.

NOTE: Specifications are subject to change without notice.

© 2020 Malema Engineering Corporation. All rights reserved.

Malema, Malema Sensors, and Malema Engineering Corporation are service marks of Malema Engineering Corporation. All other trademarks are property of their respective owners. Malema supplies this publication for informational purposes only. While every effort has been made to ensure accuracy, this publication is not intended to make performance claims or process recommendations. Malema does not warrant, guarantee, or assume any legal liability for the accuracy, completeness, timeliness, reliability, or usefulness of any information, product, or process described herein. We reserve the right to modify or improve the designs or specifications of our products at any time without notice. For actual product information and recommendations, please contact your local Malema representative.

### Corporate Headquarters

1060 S Rogers Circle  
Boca Raton, FL 33487  
P: (561) 995-0595 F: (561) 995-0622

### West Coast Headquarters

2329 Zanker Road  
San Jose, CA 95131  
P: (408) 970-3419 F: (408) 970-3426

### Asia Pacific Headquarters

35 Marsiling Industrial Estate Road 3 #02-06  
Singapore 739257  
P: (65) 6482-3533 F: (65) 6484-4231

### India Headquarters

#1433, 3<sup>rd</sup> and 4<sup>th</sup> Floor, Pipeline Road,  
Mahalakshimpuram, Bangalore 560086  
P:(91) 80 2349-9362