



M-64 Series Fixed setting flow switch with in-line flow

Features

- In-line flow switch with Low PD features.
- Low pressure drop features.
- Senses increasing or decreasing flow.
- Very accurate custom flow settings.
- Hermetically sealed.
- Universal mounting.

Operation

The operating principle is based on a magnetic piston which responds only to the motion of fluids within the line, not to static or system pressures. In the presence of fluid flow, controlled movement of the piston actuates an external hermetically sealed reed switch. This switch can be used to actuate audible or visual alarms, as well as relays, or other controls.

Custom Versions Available

Malema welcomes the opportunity to apply its flow sensor experience to work for its customers. Please contact the factory for any special requirements; such as ports, extreme temperature and pressure capabilities, etc.

Applications

- Sample flow monitoring.
- Alarm actuation.
- Purge flows.
- Loss of flow protection.
- Semiconductor etch tools.
- Laser cooling equipment.

More Product Information

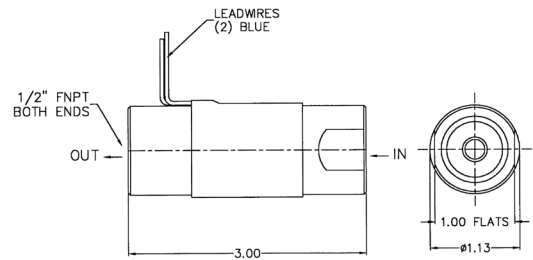
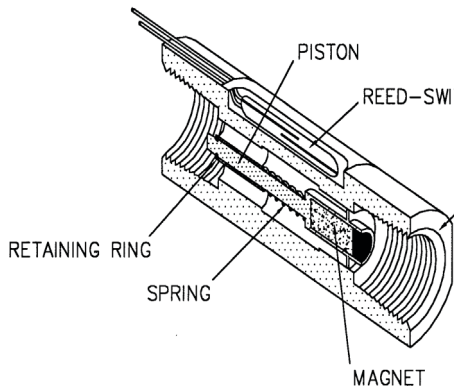
To receive additional information about the M-64 non-adjustable flow switch, please call Malema at 1-800-637-6418. Detailed information can also be downloaded from the company's web site at <http://www.malema.com>.

Measurement Specifications

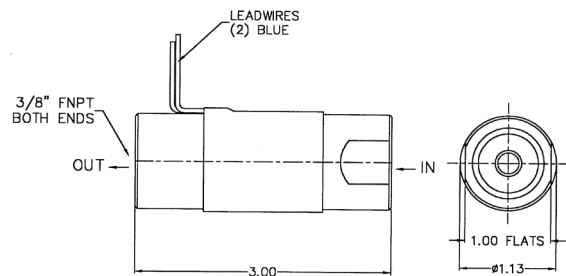
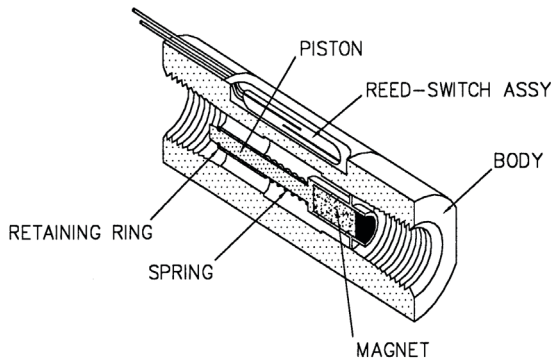
Calibration Range *	Model M-64: Air: 1.0 to 70 scfm Water: 0.1 to 7.0 gpm * For lower and higher trip points contact factory. Maximum flows through switch are higher.
Set Point Accuracy	± 10% maximum
Repeatability	± 2%
Hysteresis	± 15%
Material Versions *	<ul style="list-style-type: none"> • Brass • 316 Stainless Steel • PVC • PTFE * Other materials available on request.
Port Sizes	<ul style="list-style-type: none"> • 3/8" FNPT • 1/2" FNPT

Cut Away and Dimensional Drawings

Illustrated is the M-64 Model with 1/2" FNPT.*



Illustrated is the M-64 Model with 3/8" FNPT.*



* These dimensions apply to Brass and 316SS Units.

IMPORTANT NOTE: OD for PVC and TEFLON Units is 1.5" OD

Corporate Headquarters
 1060 S Rogers Circle
 Boca Raton, FL 33487
 P: (561) 995-0595 F: (561) 995-0622

West Coast Headquarters
 2329 Zanker Road
 San Jose, CA 95131
 P: (408) 970-3419 F: (408) 970-3426

South East Asia Headquarters
 35, Marsiling Industrial Estate Road 3,
 02-06, Singapore 739257
 P: (65) 6482-3533 F: (65) 6484-4231

India Headquarters
 #1433, 3rd and 4th Floor, Pipeline Road,
 Mahalakshimpuram, Bangalore 560086
 P: (91) 80 2349-9362

Electrical

SPST	DC Resistive : 10 Watts. AC Resistive : 10 VA. Switching Current : 0.5A. Carrying Current : 1.2A.
SPDT	DC Resistive : 3 Watts. AC Resistive : 3 VA. Switching Current : 0.25A. Carrying Current : 0.5A.

Cv at typical set points

Contact factory for pressure drop and Cv data.

Fixed Flow Setting Information

This model is a FIXED flow switch. The flow set point is fixed at the factory and is NOT field adjustable. Proper calibration of the set point requires the following information. When purchasing a flow switch, use the "Set Point Calibration" form, provide this information on the purchase order.

- Calibration set point,
- Increasing or decreasing flow,
- Fluid type (i.e. liquid or gas),
- Density or specific gravity,
- Viscosity,
- System pressure and temperature,
- Flow direction (i.e. upward or downward), and
- Mounting orientation (i.e. horizontal or vertical)..

Installation

For proper operation fluid flow must be in the inlet port and out the outlet port. Switch may be universally mounted in any orientation.

Standard Specifications

Material	Max. Pressure (psi)	Max. Temperature (C/oF)	Wetted Parts
Brass	1,500	149/300	Brass, 316SS, Epoxy
316SS	2,500	149/300	316SS, Epoxy
PVC	200	60/140	PVC, 316SS
PTFE	200	60/140	PTFE, PTFE Coated Stainless Spring

Ordering Information

Standard Part Numbering												
M	-	Model	-	Material	Port	Switch	-		Piston type		-	
M	-	64	-	S	3	1	-	0	0	0	-	XXX
		64		B - Brass S - 316SS V - PVC T - PTFE	3 - 3/8" 4 - 1/2"	1 - SPST N.O. 2 - SPST N.C. 3 - SPDT		Future option	0 - 316SS/Epoxy 1 - PTFE 2 - all 316SS		Future option	Unique numbering from 001 to 999 to identify settings and other custom requirements.

Corporate Headquarters
1060 S Rogers Circle
Boca Roton, FL 33487
P: (561) 995-0595 F: (561) 995-0622

West Coast Headquarters
2329 Zanker Road
San Jose, CA 95131
P: (408) 970-3419 F: (408) 970-3426

South East Asia Headquarters
35, Marsiling Industrial Estate Road 3,
02-06, Singapore 739257
P: (65) 6482-3533 F: (65) 6484-4231

India Headquarters
#1433, 3rd and 4th Floor, Pipeline Road,
Mahalakshimpuram, Bangalore 560086
P: (91) 80 2349-9362